



MSD-804FD

■Description

The IDK MSD-804FD is 8 digital (HDMI) inputs and 4 digital (HDMI) outputs Full Digital Presentation Switcher. The MSD-804 can mount optional twisted pair output modules. When the optional module is mounted, the switcher can output an HDMI output and a twisted pair output simultaneously. The MSD-804FD also has 8 digital and 8 analog audio inputs. Audio signals of IN1 to IN8 are switch-selectable between digital audio (HDMI) and analog audio (RCA), and audio output is simultaneous output both digital and analog output. Sound level of input and output can be set respectively. Gaps between video and audio can be compensated by Lip Sync. Front Panel LCD Menu is a useful for checking input and output signal status on the switcher and set or changes the settings of the switcher to support AV systems in a field. The MSD-804FD also has other features such as built-in scan converter, Seamless Switching, and Aspect Ratio Control for complete AV switching and distribution.

■Specification

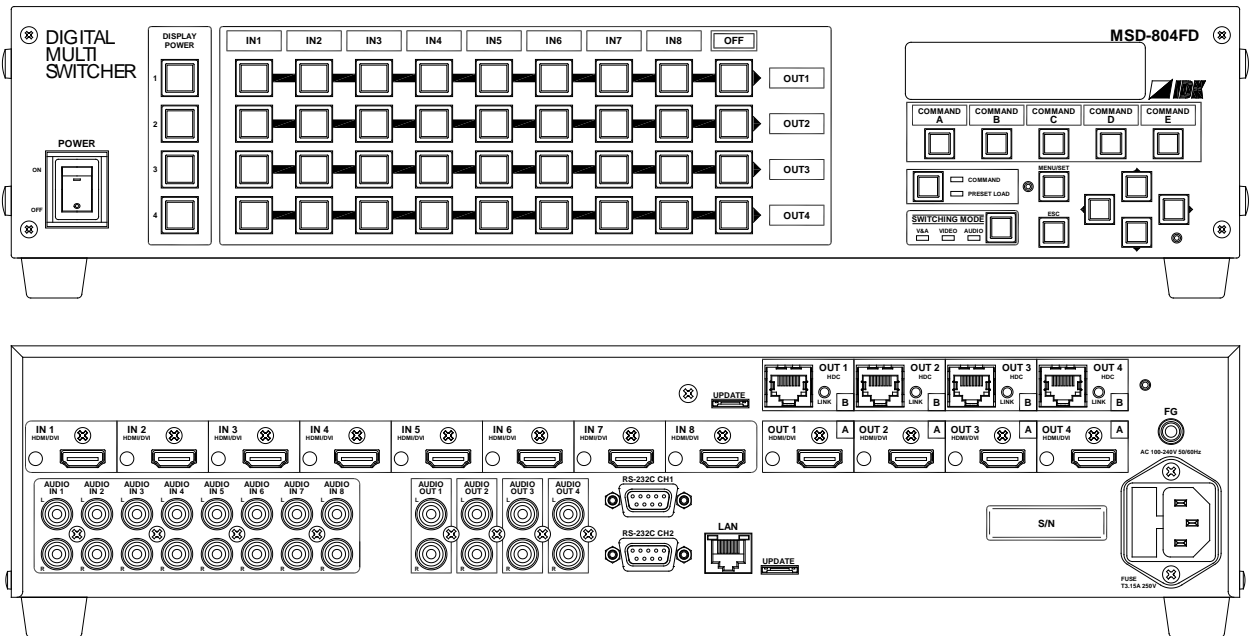
		Item		Description
Input	Video	Digital	Number / Signal	8 inputs / HDMI Deep Color (*1) / DVI 1.0 (HDCP) - TMDS single link, TMDS clock: 25 MHz to 225 MHz
			Connector	8 female HDMI Type A
			Others	Built-in Digital Cable EQ, EDID emulation
		Format	NTSC/PAL SDTV/HDTV: 480i/480p/576i/576p/720p/1080i/1080p VESA: Dot clock 25 MHz to 165 MHz (VGA to QWXGA) * WUXGA/QWXGA are supported only with Reduced Blanking	
	Audio	Digital	Number / Signal	8 inputs / Multi-channel linear PCM up to 8 channels - Sampling frequency: 32 kHz to 192 kHz - Sample size: 16 bit to 24 bit - Reference level: -20 dBFS - Max. input level: 0 dBFS * IN1 to IN8 are switch-selectable between digital and analog audio
			Connector	8 female HDMI Type A
		Analog	Number / Signal	8 inputs / Stereo LR unbalanced signal - Input impedance: 24 kΩ - Reference level: -10 dBu - Max input level: +10 dBu * IN1 to IN8 are switch-selectable between digital and analog audio
			Connector	8 RCA pin jack
Output	Video	Digital	Number / Signal	4 outputs / HDMI Deep Color (*1) / DVI 1.0 (HDCP) - TMDS single link * The switcher can output both an HDMI output and a twisted pair output simultaneously
			Connector	4 female HDMI Type A
			Others	Built-in Digital Cable EQ
		Digital Twisted pair extension (optional)	Number / Signal	4 outputs (*2) / HDMI Deep Color (*1) / DVI 1.0 (HDCP) - TMDS single link * The switcher can output both an HDMI output and a twisted pair output simultaneously
			Connector	4 RJ-45 (*3) Cable: Cat5e/Cat6 (STP/UTP straight cable) (*4)
		Format	SDTV/HDTV: 480i/480p/576i/576p/720p/1080i/1080p VESA: VGA/SVGA/XGA/WXGA(1280x768)/WXGA(1280x800)/Quad-VGA/SXGA/ WXGA(1360x768)/WXGA(1366x768)/SXGA+/WXGA+/WXGA++/UXGA/ WSXGA+/VESA1080/WUXGA/QWXGA * VESA1080/WUXGA/QWXGA are only output as Reduced Blanking	
	Audio	Digital	Number / Signal	4 outputs / Multi-channel linear PCM up to 8 channels - Sampling frequency: 32 kHz to 192 kHz - Sample size: 16 bit to 24 bit - Reference level: -20 dBFS - Max. output level: 0 dBFS *The switcher can output both an HDMI output and a twisted pair output simultaneously
			Connector	4 female HDMI Type A, 4 RJ-45
		Analog	Number / Signal	4 outputs / Stereo LR unbalanced signal Output impedance: 75 Ω Reference level: -10 dBu Max. output level: +10 dBu
			Connector	4 RCA pin jack
		Lip Sync		Up to 8 frames * Adjusts 5 frames when output signal is 88.2 kHz/96 kHz (4 frames only when output format is 576i/576p/720p@50/1080i@50/1080p@50), adjusts 2 frames when output is 192 kHz

Item		Description
Functions	Built-in Digital Cable EQ	Digital Input - From 33 ft (approx.) <10 m> up to 99 ft (approx.) <30 m> (*5) Digital Output - HDMI/DVI output: From 33 ft (approx.) <10 m> up to 165 ft (approx.) <50 m> (*5)
	Analog video processing unit	3D Y/C separation
	Scan Converter	Aspect Ratio Control, Seamless Switching (*6), Picture adjustment (brightness, contrast, display position, display size), I/P conversion
	Others	Volume adjustment (volume of input and output ports can be set separately) Audio breakaway enables independent audio and video switching Cross-point memory (storage for 7 settings) Preset memory (8 settings and startup settings) Last memory Anti-Snow (*7) Connection Reset (*8) External control commands (32 commands) Front panel security lockout
External control	Serial control port	Number / Signal: 2 ports / RS-232C Connector: 3 female 9-pin D-Sub
	LAN control port	Number / Signal: 1 port / 10Base-T (Auto Negotiation), 100Base-TX (Auto Negotiation), Auto MDI/MDI-X Connector: 1 RJ-45
	Command outputs to external device	RS-232C, LAN, CEC (controls power of display)(*9), PLink (class1)
Others	Power	100 - 240 VAC ± 10%, 50 Hz/60 Hz ± 3 Hz
	Power consumption	Around 56W
	Dimensions	16.93(W)×3.46(H)×13.78(D)" (approx.) <430(W)×88(H)×350(D)mm> (EIA 2U, not including projections)
	Weight	12.13 lbs. (approx.)<5.4kg>
	Temperature	Operating temperature: 32°F to 104°F<0°C to +40°C> Storage temperature: -4°F to +176°F<-20°C to +80°C>
	Humidity	Operating/ Storage humidity: 20 % to 90 % (Non Condensing)

- (*1) This product supports 30 bits/pixel Deep color (10 bit/component). It does not support xvYCC, Automatic Lip Sync, 3D, ARC, HEC. (Lip sync can be adjusted manually.)
- (*2) Digital twisted pair output does not support DVI signals with HDCP. If you need to extend DVI signals with HDCP, please use The IDK HDC-RD100 as a receiver.
- (*3) Digital twisted pair output is only for extending video, audio, power for a receiver, control signals using a Cat5e/Cat6 twisted pair cable. IDK receivers are required. Please do not connect LAN devices to this connector.
- (*4) Wiring is straight T568A or T568B. If exceeding 50 m, it is recommended to use a Cat6 cable.
- (*5) Transmission distance depends on connected equipment. The information above is maximum transmission distance when a cable made by IDK (AWG24) is used and signals (1080p 60 Hz 24bit/pixel (8bit/component)) are transmitted (both inputs and outputs of this product). When connected equipment is not matched to this product or other makers' cables are used, video signal can be unstable or video signals cannot be output, even though transmission distance is within the information above.
- (*6) Seamless Switching has one black frames or back color.
- (*7) The Anti-Snow function can automatically recover from snow-noise that is a specific symptom of digital signals having HDCP. Mainly, this snow-noise occurs during system startup. Therefore, this function does not work in case of snow-noise has already occurred before input the signal to IDK switchers or bad quality signal transmission.
- (*8) The Connection Reset function can fix these problems without physical cable manipulations. This function can work only in this product's output port, which sometimes will not take effect if another device is between output of this product and display device.
- (*9) Displays that are used with this product must support CEC. Some displays cannot be controlled by this product through CEC.

■ Front & Rear Panel

* This drawing is an image with optional digital output ports for extension of signals (Cat6 output)



■ Product Selection

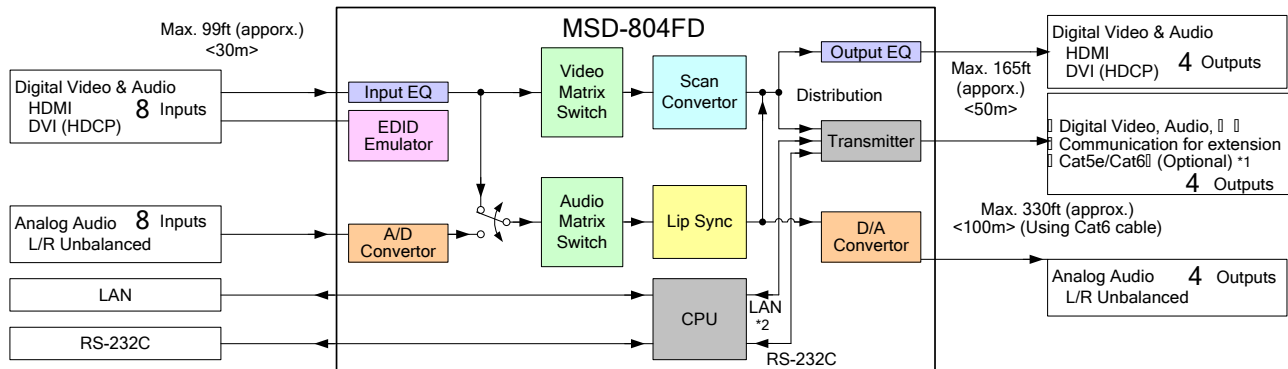
Parts Number	Digital Input Channels	HDMI Output	Cat6 Output
MSD-804FD	8	4	0
MSD-804FD OB-HDC-02	8	4	2
MSD-804FD OB-HDC-02	8	4	4

●Specifications subject to can be changed without prior notice ●"HDMI", logotype of "HDMI", and "High-Definition Multimedia Interface" are trademarks or registered trademarks of HDMI Licensing LLC or registered trademarks in the U.S.A and other countries. ●"PLink" is a trademark registration or an application for trademark registration in JAPAN, the United States, and other countries and regions. ●JBMA: Japan Business Machine and Information System Industries Association.



MSD-804FD Diagram and Features

[Block diagram]



*1 Digital output for extension (Cat6 output) is optional

*2 RS-232C and LAN when outputting signals over Cat6 supports only output of external control commands. Bidirectional communication with a PC from the RS-232C connector and LAN connector is not supported.

[Features]

■ Video

- Up to QWXGA (RB)* or 1080p
- **Built-in Digital Cable EQ**
 - INPUT: Up to 33ft to 99ft (approx.) <10m to 30m>
 - OUTPUT: Up to 33ft to 165ft (approx.) <10m to 50m>
- Extends output signal up to 330ft (approx.) <100m> using a Cat6 twisted pair cable (Option)
- **Front panel LCD menu for setup and signal status check**
- **Simultaneous output from an HDMI output and a twisted pair output**
- **Aspect Ratio Control**
- **Seamless Switching**
- **Anti-Snow**

■ Audio

- Volume adjustment
- Lip Sync

■ Control

- Input: RS-232C, LAN
- Output: RS-232C, LAN, CEC

■ Others

- **Connection reset**
- EDID emulation
- Audio breakaway enables independent audio and video switching
- Preset memory, Last memory, and Cross-point memory
- Front panel security lockout
- Internal test patterns for calibration and setup

*(RB) = Reduced Blanking