



HDMI Coaxial Cable Extender COS-100HD-B

The IDK COS-100HD-B HDMI Coaxial Cable Extender is an extender for transmission of HDMI signals using a coaxial cable. The receiver supports Daisy Chain connection and bidirectional communication via RS-232C. The COS-100HD-B enables HDMI transmission using the existing coaxial cables. A digital audio input and an analog audio input are switch selectable.

■ Specification

Item			Description			
Model number			COS-T100HD (Transmitter)	COS-R100HD-B (Receiver)		
Input	Video	HDMI / DVI	Number / Signal	1 input / HDMI (HDCP 1.4) (*1) TMDS Single Link TMDS clock - 25 MHz to 165 MHz Built-in EDID emulation	1 input / Digital signals for extension	
			Connector	1 female HDMI Type A (*2)	1 BNC 75 Ω	
		Others	Color depth: 24 bit (*3)			
		Formats	480i / 480p / 576i / 576p / 720p / 1080i / 1080p VGA to QWXGA * WUXGA / QWXGA only support Reduced Blanking			
	Audio	Digital	Number / Signal	1 input / Multi-channel linear PCM up to 8 channels - Sampling frequency: 32kHz to 192kHz - Sample Size: 16bit to 24bit - Reference level: -20 dBFS - Max. input level: 0 dBFS	1 input / Digital signals for extension	
			Connector	1 female HDMI Type A (*2)	1 BNC 75 Ω	
		Analog	Number / Signal	1 input / stereo LR unbalanced signals - Input impedance: 24 kΩ - Reference level: -10 dBu - Max input level: +10 dBu	-	
			Connector	1 RCA pin jack	-	
	Output	Video	HDMI / DVI	Number / Signal	1 output / Digital signals for extension	1 output / HDMI (HDCP 1.4) (*1) TMDS Single Link TMDS clock - 25 MHz to 165 MHz
				Connector	1 BNC 75 Ω	1 female HDMI Type A (*2)
Daisy Chain			Number / Signal	-	1 input / Digital signals for extension	
Connector			-	1 BNC 75 Ω		
Others		Color depth: 24 bit (*3)				
Formats		480i / 480p / 576i / 576p / 720p / 1080i / 1080p VGA to QWXGA * WUXGA / QWXGA only support Reduced Blanking				
Audio		Digital	Number / Signal	1 output / Digital signals for extension	1 output / Multi-channel linear PCM up to 8 channels - Sampling frequency: 48kHz - Sample Size: 24bit - Reference level: -20 dBFS - Max. input level: 0 dBFS	
			Connector	1 BNC 75 Ω	1 female HDMI Type A	
		Analog	Number / Signal	-	1 output / stereo LR unbalanced signals (*4) - Input impedance: 75 kΩ - Reference level: -10 dBu - Max input level: +10 dBu	
			Connector	-	1 RCA pin jack	
Plug & Play			DDC2B (Built-in EDID: It can select maximum resolution)			
Coaxial cables			75 Ω coaxial cable for high frequency signal			
Signal transmission distance			L-7CHD: Up to 688.97 ft. / 210 m L-7CFB: Up to 492.13 ft. / 150 m L-5CFB: Up to 360.89 ft. / 110 m L-5C2V: Up to 196.85 ft. / 60 m L-3CFB: Up to 262.47 ft. / 80 m L-3C2V: Up to 131.23 ft. / 40 m *Please be careful to use it with an adequate cable length *This distance may shorten due to jitter performance of the input video signals *Number of daisy chaining may be limited or cable extension distance may shorten if jitter performance at daisy chaining had degraded			
Functions			Anti-Snow (*5), Connection Reset (*6)			
Control	Serial control port	Number / Signal	1 port / Full duplex Max. 115.2kbps			
		Connector	1 male 9-pin D-Sub			
Others	AC adapter		Input: 100 - 240 VAC ± 10 %, 50 Hz / 60 Hz ± 3 Hz Output: 5VDC 3A 15Watt (AC adapter is supplied)			
	Power consumption		About 6 Watts	About 6 Watts		
	Dimensions		4.17 × 1.10 × 5.91" / 106 (W) × 28 (H) × 150 (D) mm (Quarter rack wide) (Excluding connectors and the like)			
	Weight		1.1 lbs. (0.5 kg)			
	Temperature		Operating: 32°F to 104°F / 0°C to +40°C Storage: -4°F to +176°F / -20°C to +80°C			
	Humidity		Operating/ Storage: 20 % to 90 % (Non Condensing)			

(*1) This product does not support CEC, xvYCC, Lip Sync, 3D, ARC, HEC

(*2) Please use an HDMI cable shorter than 5 m

(*3) Deep Color is not supported.

(*4) Analog audio output only supports 2 channels linear PCM

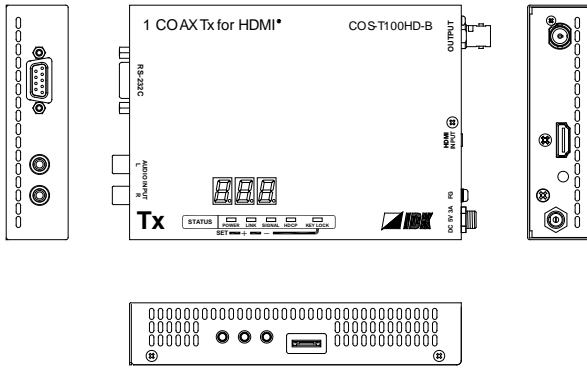
(*5) Anti-snow function can fix snowy noise automatically that is a specific symptom of the signal having HDCP, mainly snow noise that arises during starting. Therefore, this function cannot work when snow noise has already occurred before starting or when snowy noise occurs because of bad status of transmission line.

(*6) Connection reset function can fix problems that can be repaired by taking off and putting in connectors. This function can work only in this product's output port, which sometimes will not take effect if another device is between output of this product and display device.

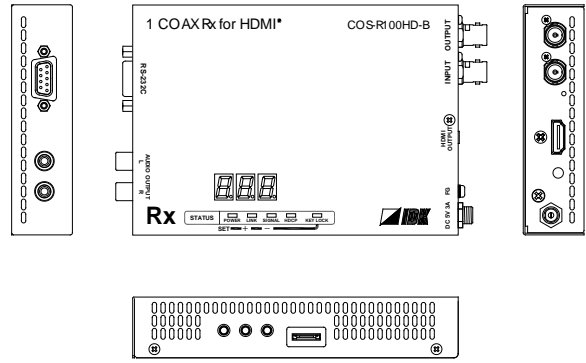
●All specifications and drawings are subject to change without notice. ●Please do not use the supplied AC adapter and power supply cable for other products. ●The terms HDMI and HDMI High-Definition Multimedia Interface, and the HDMI Logo are trademarks or registered trademarks of HDMI Licensing Administrator, Inc. in the United States and other countries. ●PULink is a trademark in Japan, the United States, and other countries/regions. ●HDBaseT™ and the HDBaseT Alliance Logo are trademarks of the HDBaseT Alliance. ●The terms Anti-snow and Connection Reset are registered trademarks of IDK Corporation in Japan ●All other company and product names mentioned in this document are either registered trademarks or trademarks of their respective owners. In this document, the “®” or “™” marks may not be specified.

■ Front & Rear Panel

COS-T100HD-B



COS-R100HD-B



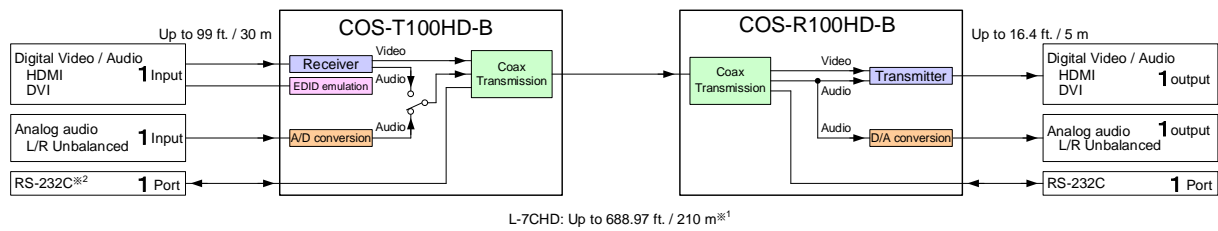
●All specifications and drawings are subject to change without notice. ●Please do not use the supplied AC adapter and power supply cable for other products. ●The terms HDMI and HDMI High-Definition Multimedia Interface, and the HDMI Logo are trademarks or registered trademarks of HDMI Licensing Administrator, Inc. in the United States and other countries. ●PJLink is a trademark in Japan, the United States, and other countries/regions. ●HDBaseT™ and the HDBaseT Alliance Logo are trademarks of the HDBaseT Alliance. ●The terms Anti-snow and Connection Reset are registered trademarks of IDK Corporation in Japan ●All other company and product names mentioned in this document are either registered trademarks or trademarks of their respective owners. In this document, the “®” or “™” marks may not be specified.



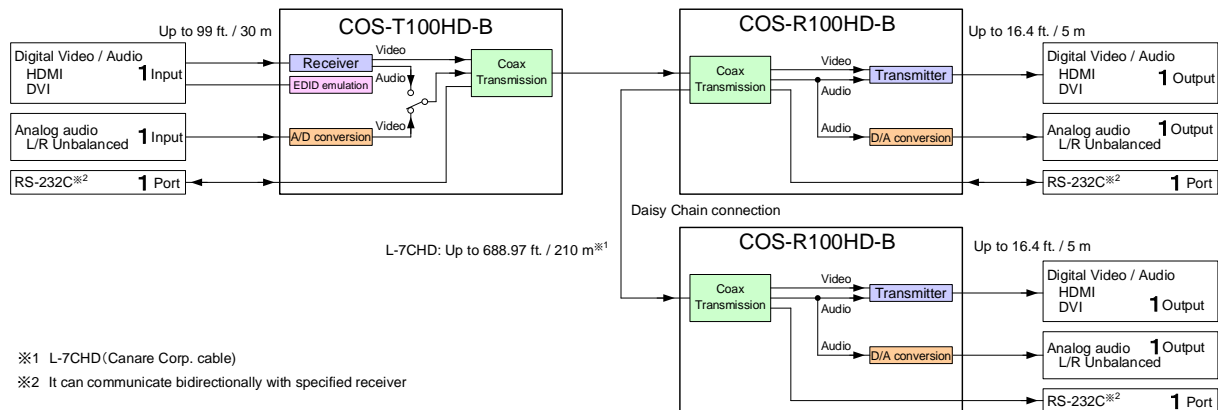
HDMI Coaxial Cable Extender COS-100HD-B Diagram and Features

■ Diagram

■ Use one receiver



■ Daisy Chain connection



[Features]

■ Video

- Up to QWXGA (RB*), 1080p
- HDCP1.4
- Extends up to 688.97 ft. / 210 m using a L-7CHD cable
 - L-7CHD: Up to 688.97 ft. / 210 m
 - L-7CFB: Up to 492.13 ft. / 150 m
 - L-5CFB: Up to 360.89 ft. / 110 m
 - L-5C2V: Up to 196.85 ft. / 60 m
 - L-3CFB: Up to 262.47 ft. / 80 m
 - L-3C2V: Up to 131.23 ft. / 40 m
- HDMI input cable EQ
INPUT: up to 33 ft. to 99 ft. approx. / 10 m to 30 m
- Daisy Chain Connection
- Anti-Snow

■ Audio

- Embedded analog audio to HDMI signal
- De-embedded analog audio from HDMI signal

■ Control

- RS-232C bidirectional communication
- Batch transmission to all receivers when it has daisy chain connection
- Bidirectional communication between specified receiver when it has daisy chain connection

■ Others

- Connection reset
- EDID emulation
- Internal test pattern and test tone
- Seven segments LED and OSD for status confirmation
- AC adapter mechanical lock
- Transmit HDMI and serial signal using one coaxial cable

* (RB) = Reduced Blanking

● All specifications and drawings are subject to change without notice. ● Please do not use the supplied AC adapter and power supply cable for other products. ● The terms HDMI and HDMI High-Definition Multimedia Interface, and the HDMI Logo are trademarks or registered trademarks of HDMI Licensing Administrator, Inc. in the United States and other countries. ● PJLink is a trademark in Japan, the United States, and other countries/regions. ● HDBaseT™ and the HDBaseT Alliance Logo are trademarks of the HDBaseT Alliance. ● The terms Anti-snow and Connection Reset are registered trademarks of IDK Corporation in Japan ● All other company and product names mentioned in this document are either registered trademarks or trademarks of their respective owners. In this document, the “®” or “™” marks may not be specified.