



### ■Description

The IDK ICP-9401 Four Window Multi-Window Processor is a powerful, high resolution graphics processor that enables the simultaneous display of four images on a single screen with any layout. The ICP-9401 can also be used as 5 digital (HDMI) and 4 analog inputs Truly Seamless Presentation Switcher with using cut, dissolve, and wipe switching effects (while not using multi-window). Video signals HDMI, DVI, Composite Video, S-Video, Analog RGB, and Analog YPbPr can be input and converted up to QWXGA or 1080p. Audio signals of IN1 to IN5 are switch-selectable between digital audio (HDMI) and analog audio (RCA), and audio output is simultaneous output both digital and analog output. Sound level of input and output can be set respectively. Gaps between video and audio can be compensated by Lip Sync. Front Panel LCD Menu is a useful for checking input and output signal status on the switcher and set or changes the settings of the switcher to support AV systems in a field. The ICP-9401 also has other features such as built-in scan converter, Seamless Switching, and Aspect Ratio Control for complete AV switching and distribution.

### ■Specification

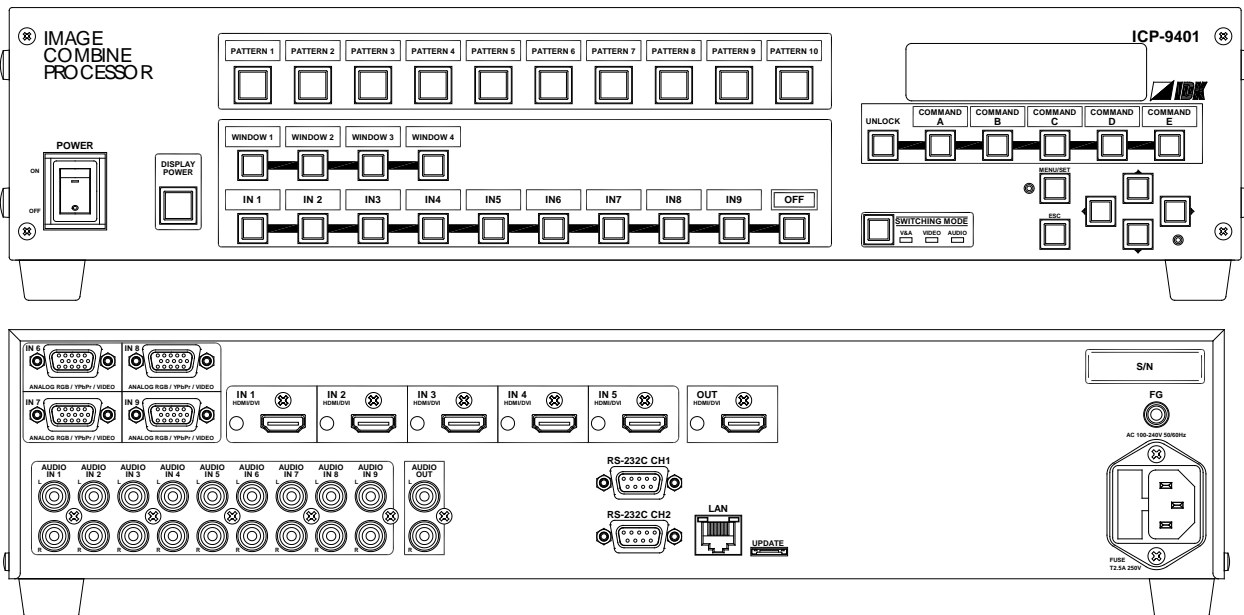
Item		Description		
Input	Video	Digital	Number / Signal	5 inputs / HDMI Deep Color (*1) / DVI 1.0 (HDCP) - TMDS single link, TMDS clock: 25 MHz to 225 MHz
			Connector	5 female HDMI Type A
			Others	Built-in Digital Cable EQ, EDID emulation
		Universal Analog	Number / Signal	4 inputs / Composite video, S-Video, Analog RGB/Analog YPbPr (auto-recognition) - Composite video (VBS Signal): 1.0 V [p-p]/75 Ω - S-Video (Y/C Signal): 1.0 V [p-p] (Y) /0.286 V [p-p] (C) /75 Ω - Analog RGB: 0.7 V [p-p] (1.0 V [p-p] Sync on Green) /75 Ω HS/VS TTL level, CS TTL level, Sync on Green - Analog YPbPr: 1.0 V [p-p] (Y) /0.7 V [p-p] (Pb/Pr) /75 Ω
			Connector	4 female 15-pin HD,
			Others	EDID emulation
	Format	NTSC/PAL SDTV/HDTV: 480i/480p/576i/576p/720p/1080i/1080p VESA: Dot clock 25 MHz to 165 MHz (VGA to QWXGA) * WUXGA/QWXGA are supported only with Reduced Blanking		
	Audio	Digital	Number / Signal	5 inputs / 2 channel linear PCM - Sampling frequency: 32 kHz to 192 kHz - Sample size: 16 bit to 24 bit - Reference level: -20 dBFS - Max. input level: 0 dBFS * IN1 to IN5 are switch-selectable between digital and analog audio
			Connector	5 female HDMI Type A
		Analog	Number / Signal	9 inputs / Stereo LR unbalanced signal - Input impedance: 24 kΩ - Reference level: -10 dBu - Max input level: +10 dBu * IN1 to IN5 are switch-selectable between digital and analog audio
Connector			9 RCA pin jack	
Output	Video	Digital	Number / Signal	1 output / HDMI Deep Color (*1) / DVI 1.0 (HDCP) - TMDS single link
			Connector	1 female HDMI Type A
			Others	Built-in Digital Cable EQ
	Format	SDTV/HDTV: 480i/480p/576i/576p/720p/1080i/1080p VESA: VGA/SVGA/XGA/WXGA(1280x768)/WXGA(1280x800)/Quad-VGA/SXGA/ WXGA(1360x768)/WXGA(1366x768)/SXGA+/WXGA+/WXGA++/UXGA/ WSXGA+/VESA1080/WUXGA/QWXGA * VESA1080/WUXGA/QWXGA are only output as Reduced Blanking		
	Audio	Digital	Number / Signal	1 output / 2 channel linear PCM - Sampling frequency: 32 kHz to 192 kHz - Sample size: 16 bit to 24 bit - Reference level: -20 dBFS - Max. output level: 0 dBFS
			Connector	1 female HDMI Type A,
		Analog	Number / Signal	1 output / Stereo LR unbalanced signal Output impedance: 75 Ω Reference level: -10 dBu Max. output level: +10 dBu
			Connector	1 RCA pin jack
	Lip Sync	Up to 8 frames * Adjusts 5 frames when output signal is 88.2 kHz/96 kHz (4 frames only when output format is 576i/576p/720p@50/1080i@50/1080p@50), adjusts 2 frames when output is 192 kHz		

●All specifications and drawings are subject to change without notice. ●Please do not use the supplied AC adapter and power supply cable for other products. ●The terms HDMI and HDMI High-Definition Multimedia Interface, and the HDMI Logo are trademarks or registered trademarks of HDMI Licensing, LLC in the United States and other countries. ●PJLink is a trademark in Japan, the United States, and other countries/regions. ●HDBaseT™ and the HDBaseT Alliance Logo are trademarks of the HDBaseT Alliance. ●The terms Anti-snow and Connection Reset are registered trademarks of IDK Corporation in Japan ●All other company and product names mentioned in this document are either registered trademarks or trademarks of their respective owners. In this document, the “®” or “™” marks may not be specified.

Item		Description	
Functions	Built-in Digital Cable EQ	Digital Input - From 33 ft (approx.) <10 m> up to 99 ft (approx.) <30 m> (*2) Digital Output - HDMI/DVI output: From 33 ft (approx.) <10 m> up to 165 ft (approx.) <50 m> (*2)	
	Analog video processing unit	3D Y/C separation	
	Scan Converter	Aspect Ratio Control, Truly Seamless Switching (*3), Picture adjustment (brightness, contrast, display position, display size), I/P conversion	
	Others	Volume adjustment (volume of input and output ports can be set separately) Audio breakaway enables independent audio and video switching Cross-point memory (storage for 7 settings) Preset memory (8 settings and startup settings) Last memory Anti-Snow (*4) Connection Reset (*5) External control commands (32 commands) Front panel security lockout	
External control	Serial control port	Number / Signal	2 ports / RS-232C
		Connector	2 female 9-pin D-Sub
	LAN control port	Number / Signal	1 port / 10Base-T (Auto Negotiation), 100Base-TX (Auto Negotiation), Auto MDI/MDI-X
		Connector	1 RJ-45
Command outputs to external device		RS-232C, LAN, CEC (controls power of display)(*7), PLink (class1)	
Others	Power	100 - 240 VAC $\pm$ 10%, 50 Hz/60 Hz $\pm$ 3 Hz	
	Power consumption	Around 46W	
	Dimensions	16.93(W) $\times$ 3.46(H) $\times$ 13.78(D)" (approx.) <430(W) $\times$ 88(H) $\times$ 350(D)mm> (EIA 2U, not including projections)	
	Weight	12.13 lbs. (approx.)<5.5kg>	
	Temperature	Operating temperature: 32°F to 104°F<0°C to +40°C> Storage temperature: -4°F to +176°F<-20°C to +80°C>	
	Humidity	Operating/Storage humidity: 20% to 90% (Non Condensing)	

- (\*1) This product supports 30 bits/pixel Deep color (10 bit/component). It does not support xvYCC, Automatic Lip Sync, 3D, ARC, HEC. (Lip sync can be adjusted manually.)  
(\*2) Transmission distance depends on connected equipment. The information above is maximum transmission distance when a cable made by IDK (AWG24) is used and signals (1080p 60 Hz 24bit/pixel (8bit/component)) are transmitted (both inputs and outputs of this product). When connected equipment is not matched to this product or other makers' cables are used, video signal can be unstable or video signals cannot be output, even though transmission distance is within the information above.  
(\*3) Seamless Switching has one black frames or back color.  
(\*4) The Anti-Snow function can automatically recover from snow-noise that is a specific symptom of digital signals having HDCP. Mainly, this snow-noise occurs during system startup. Therefore, this function does not work in case of snow-noise has already occurred before input the signal to IDK switchers or bad quality signal transmission.  
(\*5) The Connection Reset function can fix these problems without physical cable manipulations. This function can work only in this product's output port, which sometimes will not take effect if another device is between output of this product and display device.  
(\*6) Pin 2 ~ Pin 21 and Pin 27 ~ Pin 46 supports up to DC 48 V/50 mA. Pin 22 ~ Pin 24 supports up to DC 48 V/1 A.  
(\*7) Displays that are used with this product must support CEC. Some displays cannot be controlled by this product through CEC.

#### ■ Front & Rear Panel

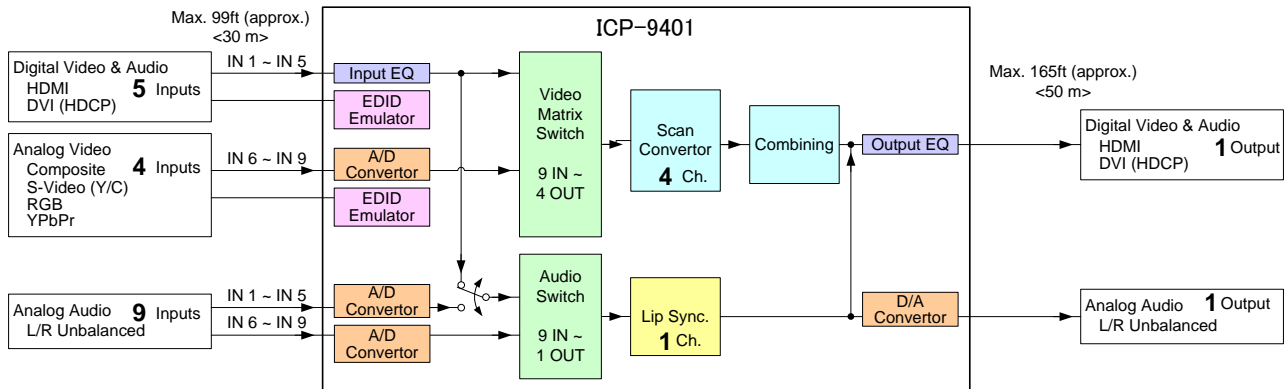


- All specifications and drawings are subject to change without notice. ● Please do not use the supplied AC adapter and power supply cable for other products. ● The terms HDMI and HDMI High-Definition Multimedia Interface, and the HDMI Logo are trademarks or registered trademarks of HDMI Licensing, LLC in the United States and other countries. ● PLink is a trademark in Japan, the United States, and other countries/regions. ● HDBaseT™ and the HDBaseT Alliance Logo are trademarks of the HDBaseT Alliance. ● The terms Anti-snow and Connection Reset are registered trademarks of IDK Corporation in Japan ● All other company and product names mentioned in this document are either registered trademarks or trademarks of their respective owners. In this document, the “®” or “™” marks may not be specified.



## Four Window Multi-Window Processor ICP-9401 Diagram and Features

### [Block Diagram]



### [Features]

#### ■ Video

- Up to QWXGA (RB)\* or 1080p
- Front panel LCD menu for setup and signal status check
- Truly Seamless Switching (while not using multi-window)
- Aspect Ratio Control
- Anti-Snow

#### ■ Audio

- A/D, D/A conversion
- Volume adjustment
- Lip Sync

#### ■ Image Combining

- Simultaneous display of four images on a single screen
- Picture-in-picture adjustments
  - Window background color
  - Window display priority
  - Window display ON/OFF
  - Window positioning & sizing
- Displaying window border & color selection
- Displaying window title character
- Cut/fade switching effects

#### ■ Control

- Input: RS-232C, LAN
- Output: RS-232C, LAN, CEC

#### ■ Others

- EDID emulation
- Audio breakaway enables independent audio and video switching
- Combination and layout pattern memory
- Connection reset
- Front panel security lockout
- Internal test patterns for calibration and setup

\* (RB) = Reduced Blanking

● All specifications and drawings are subject to change without notice. ● Please do not use the supplied AC adapter and power supply cable for other products. ● The terms HDMI and HDMI High-Definition Multimedia Interface, and the HDMI Logo are trademarks or registered trademarks of HDMI Licensing, LLC in the United States and other countries. ● PJLink is a trademark in Japan, the United States, and other countries/regions. ● HDBaseT™ and the HDBaseT Alliance Logo are trademarks of the HDBaseT Alliance. ● The terms Anti-snow and Connection Reset are registered trademarks of IDK Corporation in Japan ● All other company and product names mentioned in this document are either registered trademarks or trademarks of their respective owners. In this document, the “®” or “™” marks may not be specified.